

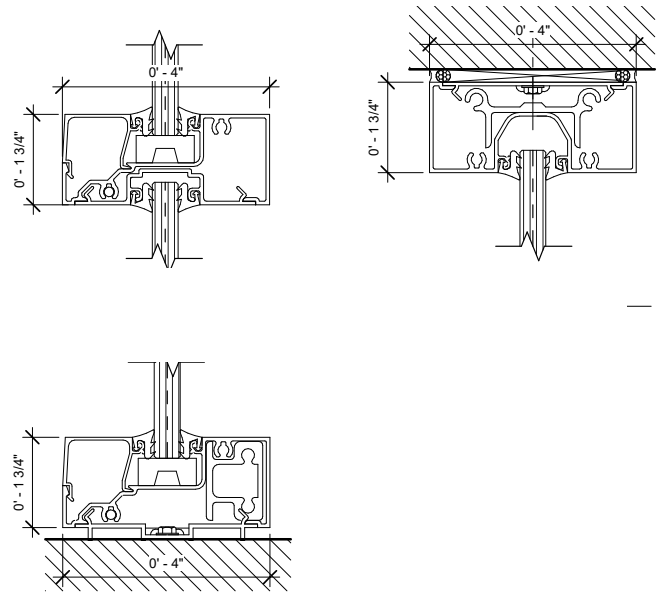
Vision 3 Interior Storefront System



System

Panel Connection Configurations	Butt-Glazed or Mullion
Max System Height	12-ft-0-in
Max System Span	99-ft-0-in
Profile Depth	4-in
Max Transom Height	N/A
Frame Material	Aluminum
Frame Finish	Black Powder-Coated Standard (Frame can be any standard RAL color or Black, White, Dark Bronze Anodized, or Clear Anodized)
Floor Attachment	Physical anchoring required
Ceiling Attachment	Soffit only (No ceiling grid attachment)
Adjustability	+/- 1/2-in vertical or horizontal tolerance
STC Rating	39 (when used with 5/8" Laminated glass)
Approximate Weight/SF	appx. 10lbs

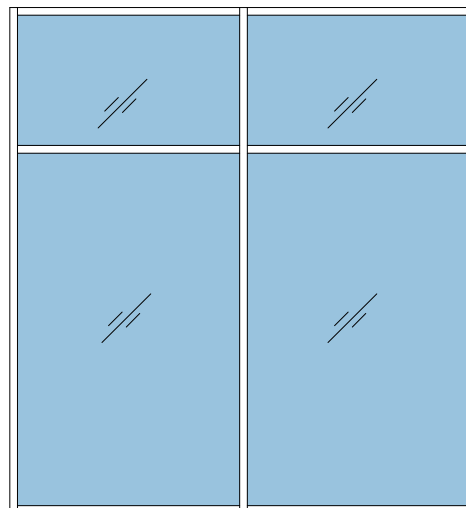
Plan



Glass

Maximum Panel Width	3210mm / 126.378-in
Standard Glass Thickness	5/8-in Laminated
Minimum Thickness	1/4-in
Maximum Thickness	1-in
Glass Finish	Clear
Glass Graphic Options	Any digital file vector can be printed with Ceramic Paint on the Glass – Many colors available
Panel Edges	Sanded Edge Standard / Polished Edge at Butt Joints

Elevation



Vision 3 Interior Storefront System



Doors

Door Type	Standard Swing, Sliding Options Available
Material	Aluminum
Frame Finishes	Same as System
Configurations	Glass Panel or Solid Panel. Doorframe accepts wood, aluminum and hollow metal doors.
Solid Door Panel Finishes	Wood
Standard Solid Door Size	36-in x system height less transom
Standard Glass Panel Thickness	3/8-in Laminated
Glass Finishes	Clear or Ultra Clear with Ceramic Paint (Any digital file vector can be printed – no stock patterns – please confirm available colors)

Finishing options

Frame Finish Options

- Black/Grey/White Powder-coated
- Black/White/Dark Bronze Anodized
- More powder-coated finishes available please inquire for more information

Glass Printing Options

- Black/White/Grey/+3 other colors as standards
- More finishes available please inquire for more information

Door Hardware

- Door hardware included in base package
- Custom hardware packages available